

We recommend two people be on hand for this assembly

Tools required :

- 13mm spanner (included)

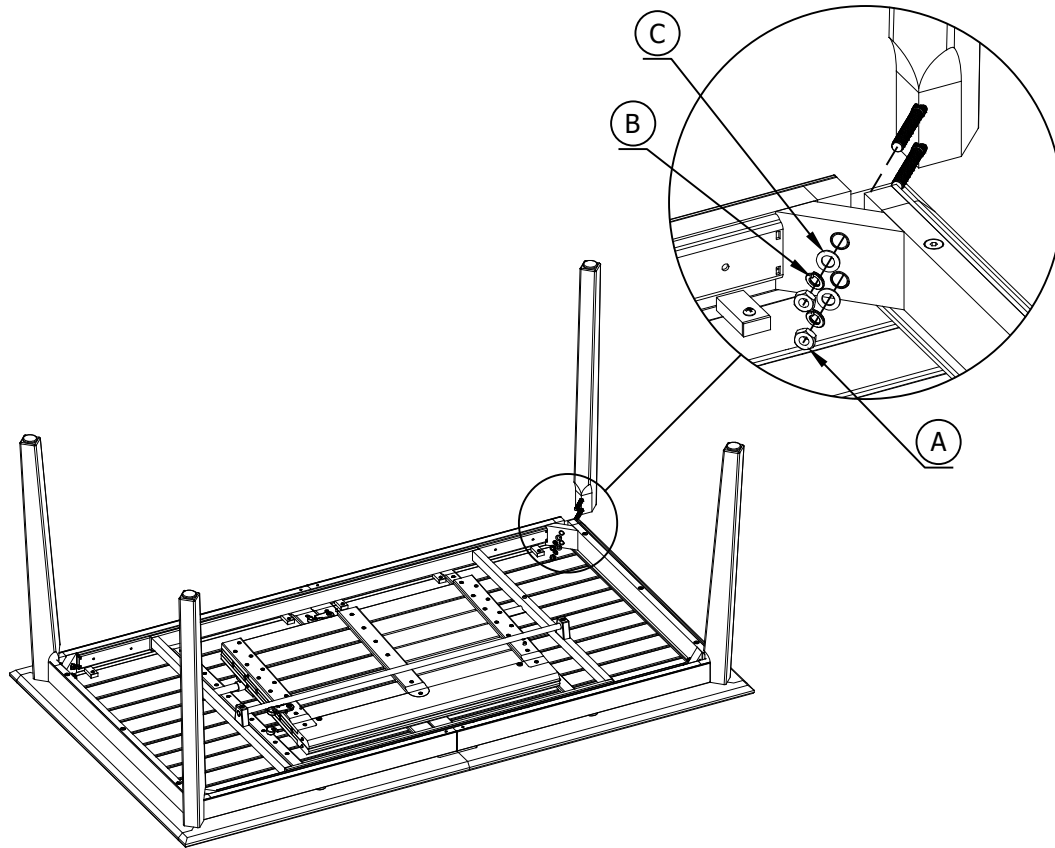
MENLO EXTENDING TABLE

ASSEMBLY INSTRUCTIONS

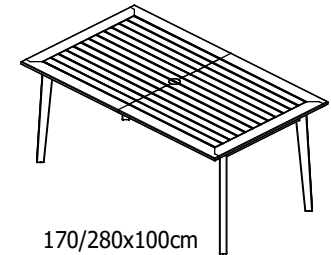
!! Important
Do not use power tools on this assembly.
Use the supplied manual spanner.



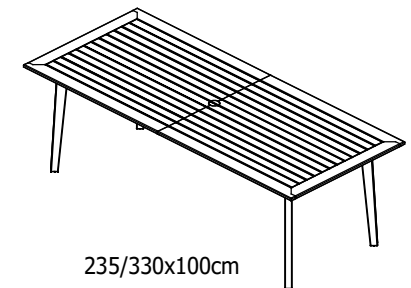
- 1 Use the carton as a protective work surface by flattening out the sides and ends.
- 2 Using the supplied spanner, secure each of the 4 legs to the frame. Ensure the supplied flat and spring washers are in the correct position. Flat washer should be nearest to the frame, while spring washer should be nearest to the lock nut.



- 3 Turn the table right-side-up.

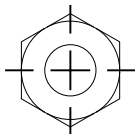


170/280x100cm



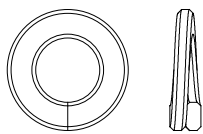
235/330x100cm

A NUT M8



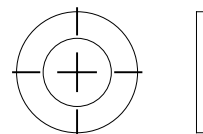
8 pcs

B SPRING WASHER M8



8 pcs

C FLAT WASHER M8



8 pcs