

Tools required :
- Allen Key 4x7mm (included)

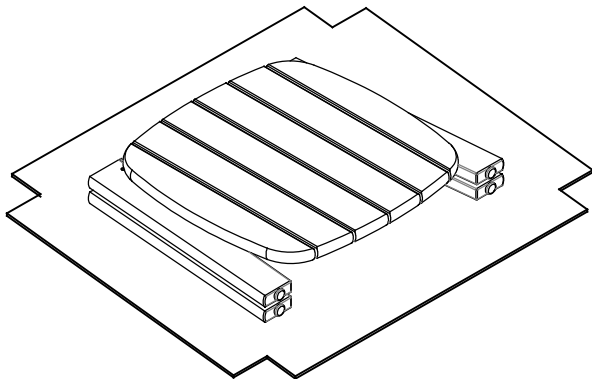
ADIRONDACK SIDE TABLE

ASSEMBLY INSTRUCTIONS

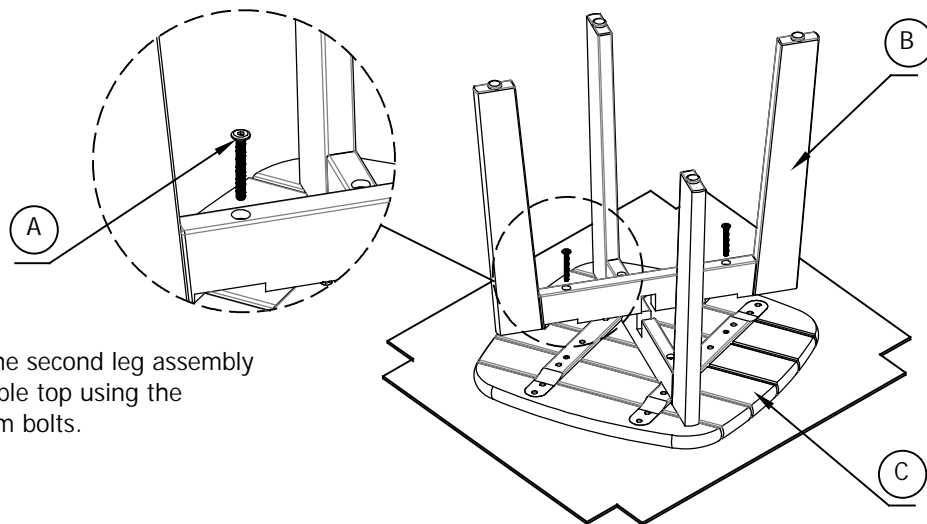
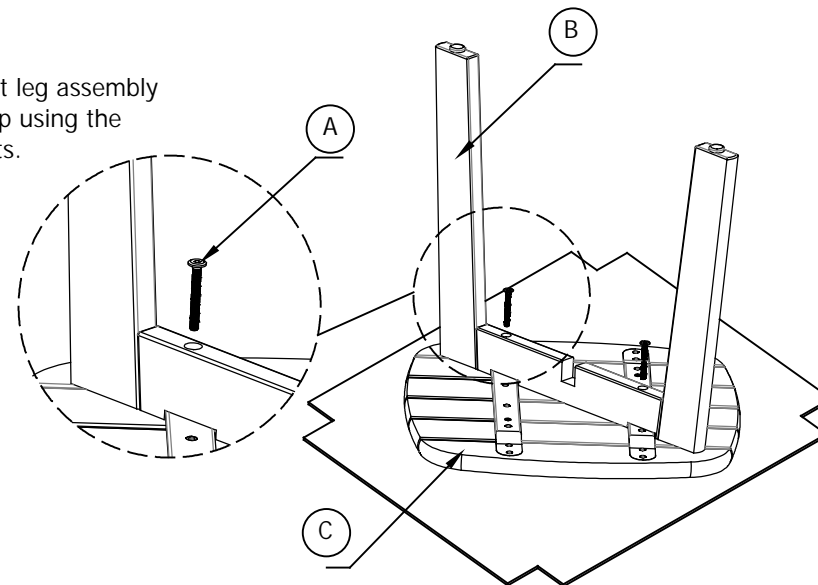
!! Important
Do not use power tools on this assembly.
Use the supplied manual hex key.



1 Use the carton as a protective work surface by flattening out the sides and ends.

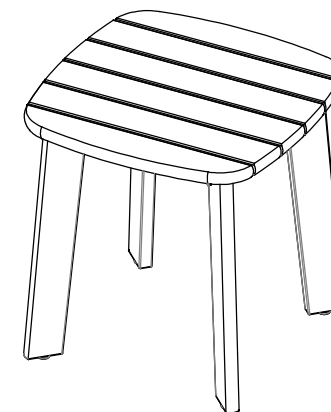


2 Secure the first leg assembly to the table top using the M6x50mm bolts.

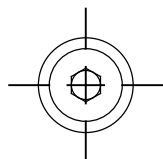


3 Secure the second leg assembly to the table top using the M6x50mm bolts.

4 Turn the table right-side-up.



A BOLT M6x50mm



4 pcs

B LEG ASSEMBLY

C TABLE TOP ASSEMBLY