

- We recommend two people be on hand for this assembly

Tools required :
- 4mm hex key (included)

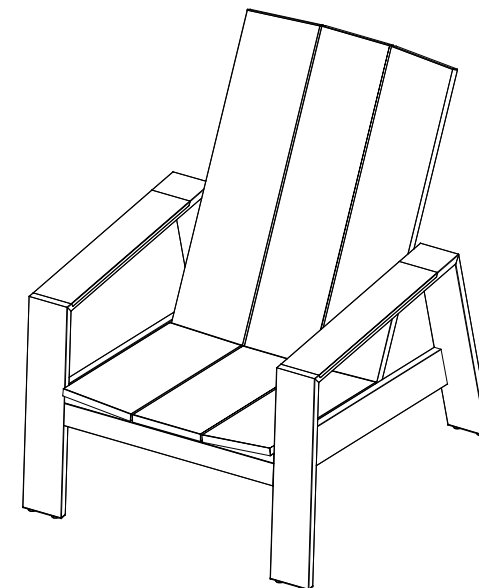
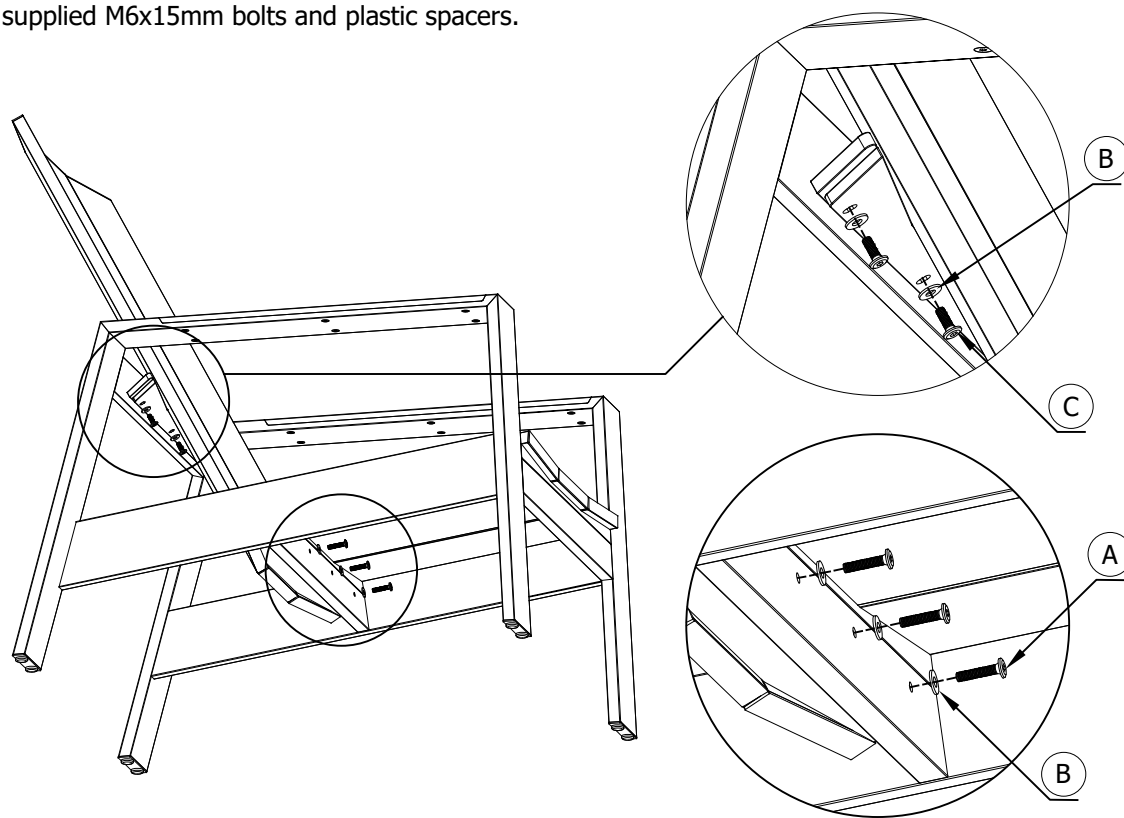
TRIO ALU ADIRONDACK CHAIR

ASSEMBLY INSTRUCTIONS

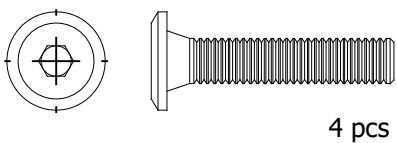
!! Important
Do not use power tools on this assembly.
Use the supplied manual hex key.



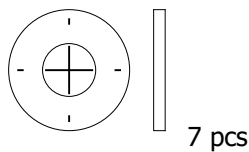
- 1 Line up the holes on the backrest assembly with the corresponding holes on the underside of the seat and the backrest support.
- 2 a. Secure the backrest assembly to the underside of the seat with the supplied M6x30mm bolts and PE spacers.
b. Secure the backrest assembly to the backrest support with the supplied M6x15mm bolts and plastic spacers.



A BOLT M6x30mm



B PLASTIC SPACER



C BOLT M6x15mm

