

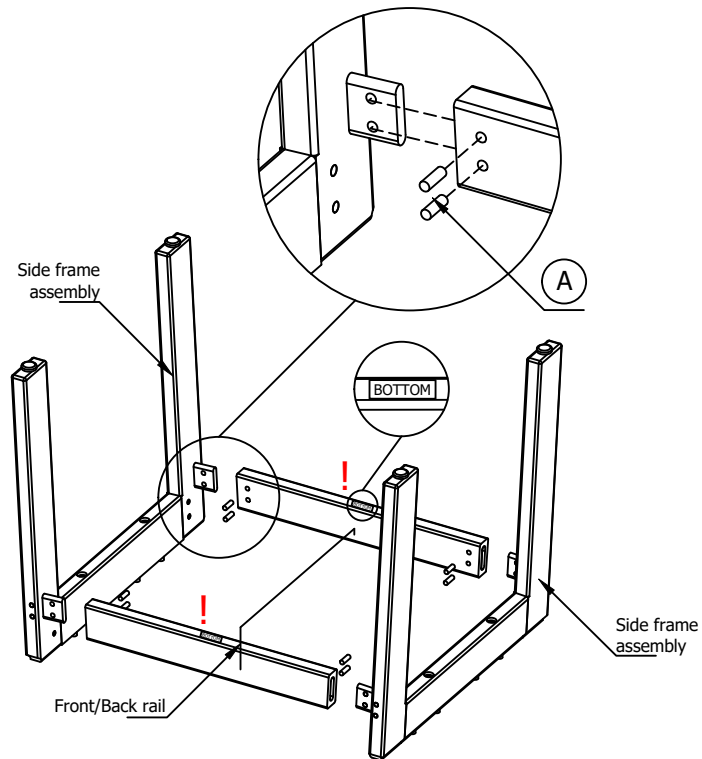
- Tools required:
- 4mm hex key (included)
 - Wood block (included)
 - Sand Paper (included)
 - Mallet

DUO ADIRONDACK 17.5" SQUARE TEAK SIDE TABLE

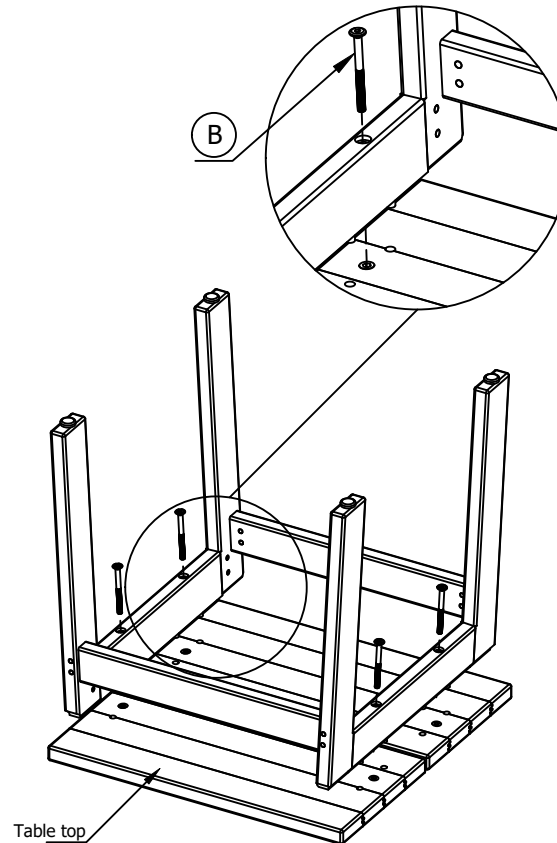
ASSEMBLY INSTRUCTIONS

- 1 Line up the rails and the side frame assembly, then secure the assemblies together with the supplied dowels.

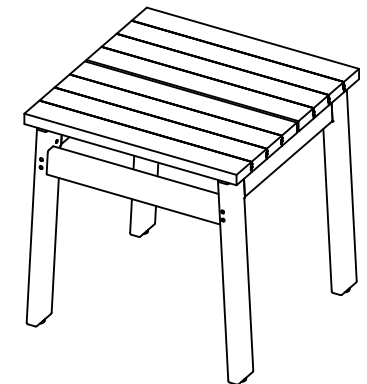
!! Note that the rails is not reversible. Carefully make sure the "BOTTOM" sticker match the direction of below drawing.



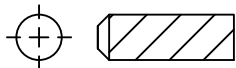
- 2 Attach the base frame assembly into the table top, and use the supplied bolts to secure the assemblies together.



- 3 Turn the table right-side-up.

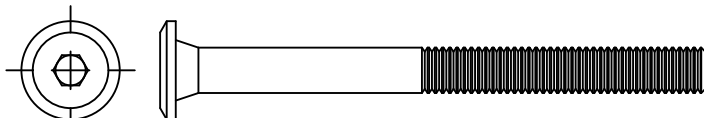


A DOWEL Ø6x18



8 pcs

B BOLT M6x70mm



4 pcs