

We recommend two people be on hand for this assembly

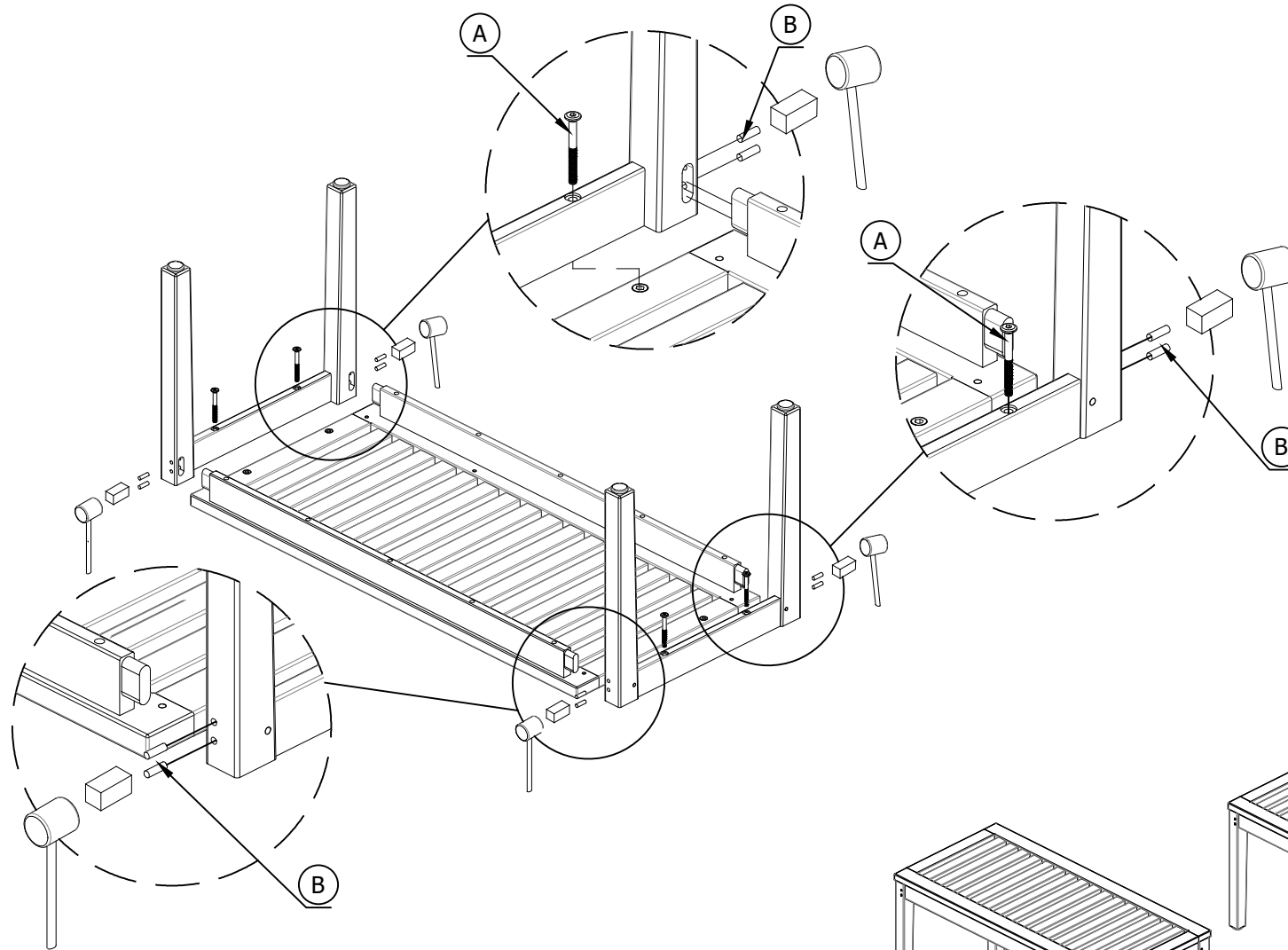
Tools required :

- 4mm hex key (Included)
- Sand Paper (Included)
- Wood Block (Included)
- Mallet

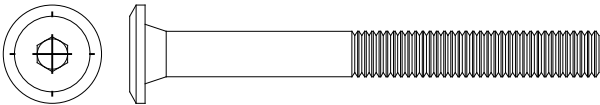
CALERA BACKLESS BENCH

ASSEMBLY INSTRUCTIONS

!! Important
Do not use power tools on this assembly.
Use the supplied manual hex key.

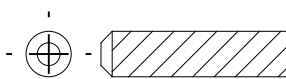


A BOLT M6x60mm



4 pcs

B DOWEL Ø6x25mm



8 pcs

