

- Tools required :
- 4mm hex key (included)
  - Woodblock (included)
  - Sandpaper (included)
  - Mallet

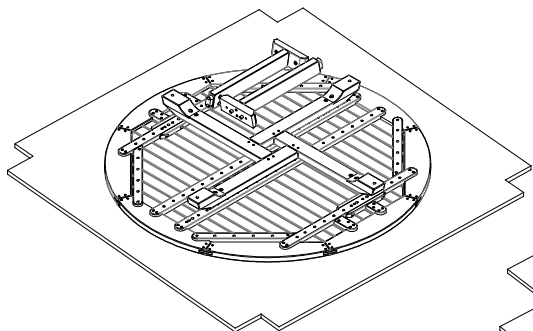
# CALERA CONVERSATION TABLE Ø45 in.

## ASSEMBLY INSTRUCTIONS

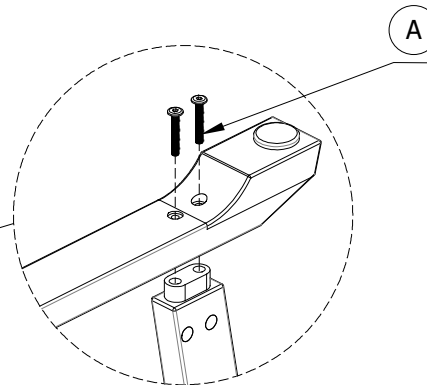
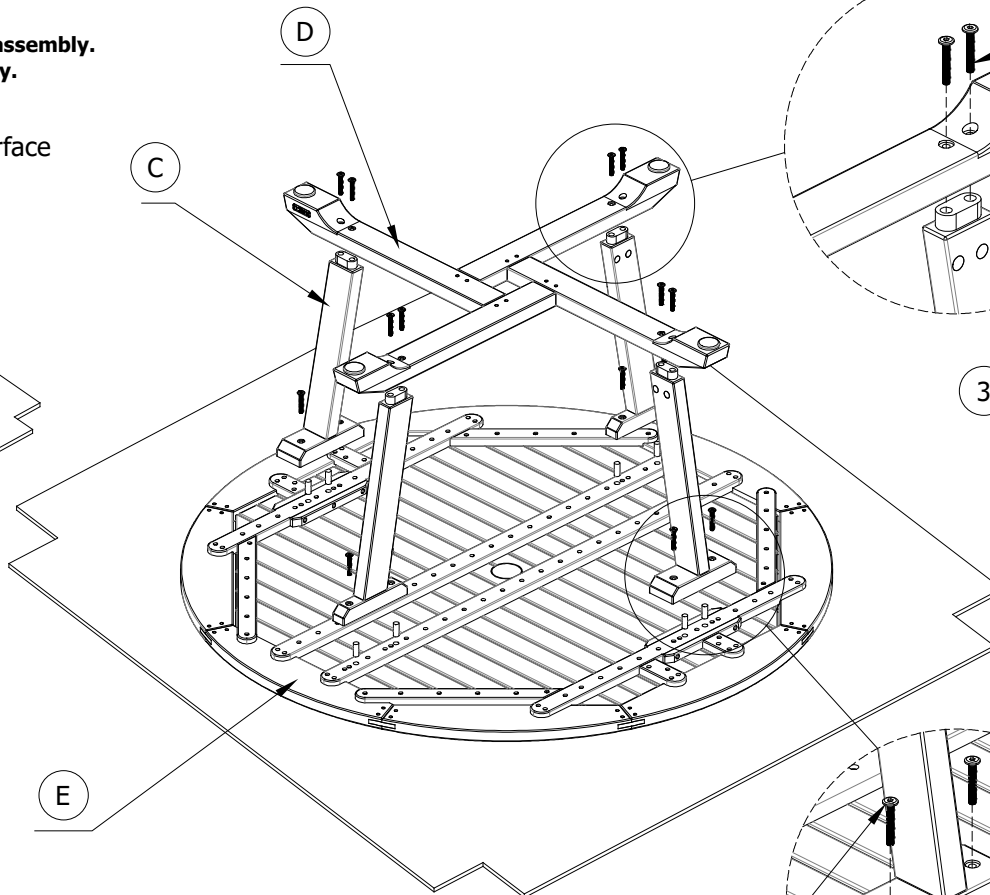


**Important !!**  
Do not use power tools on this assembly.  
Use the supplied manual hex key.

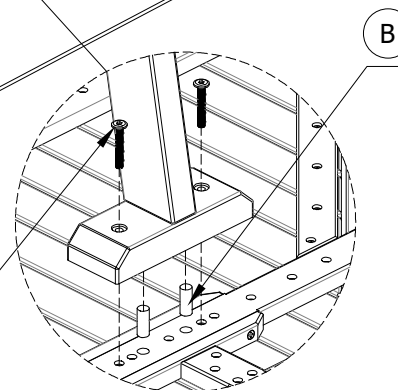
- 1 Use the carton as a protective work surface by flattening out the sides and ends.



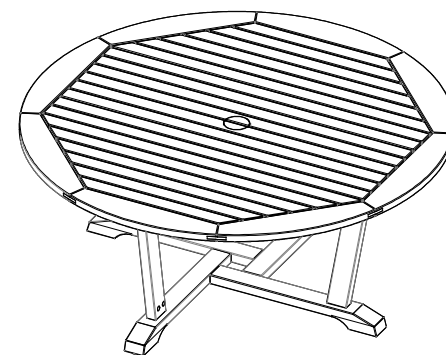
- 2 Secure the top legs to the table top using the supplied dowels and bolts.



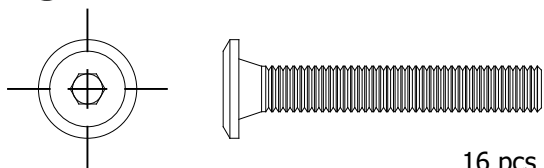
- 3 Secure the top legs to the bottom legs assembly using the supplied bolts.



- 4 Turn the table right-side-up.

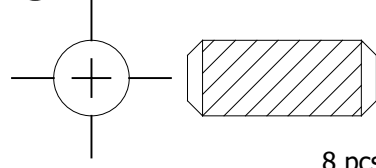


A BOLT M6x40mm



16 pcs

B DOWEL Ø10x25mm



8 pcs

C TOP LEG

D BOTTOM LEG ASSEMBLY

E TABLE TOP ASSEMBLY