

We recommend two people be on hand for this assembly

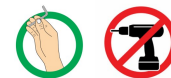
Tools required :

- 4mm hex key with ball end (included)
- Sand paper (included)
- Wood block (included)
- Hammer or Mallet

CALERA ARMLESS DINING BENCH

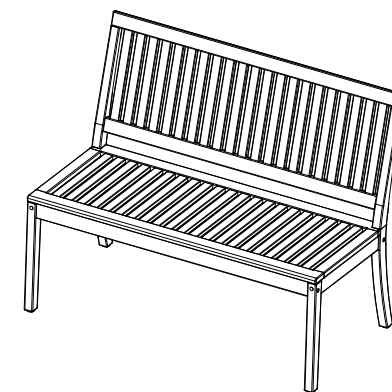
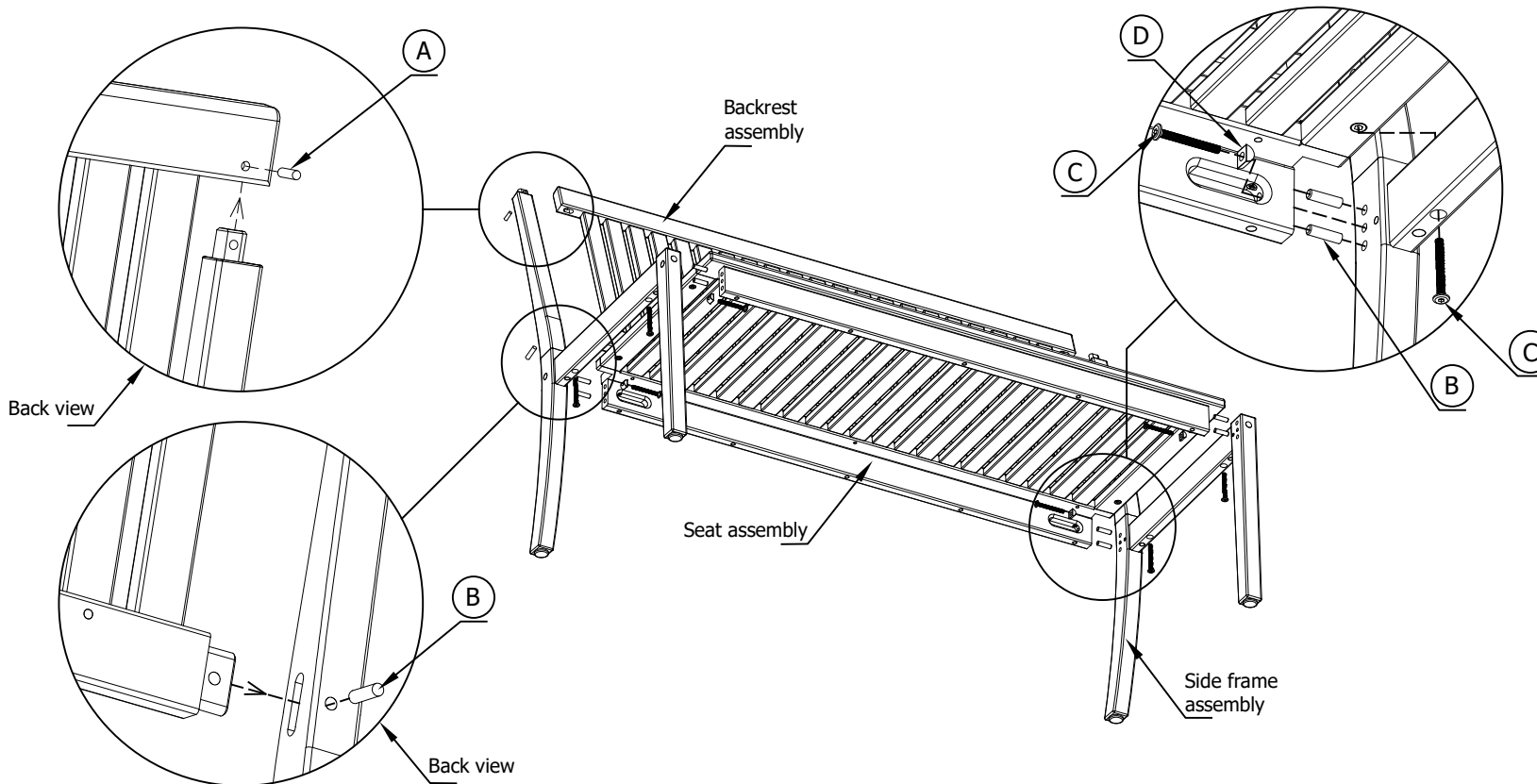
ASSEMBLY INSTRUCTIONS

!! Important
Do not use power tools on this assembly.
Use the supplied manual hex key.

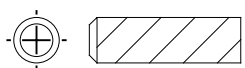


- 1 Join the seat, back, and side frame assembly by lining up the corresponding holes. The tenon at the top of the leg should be inserted first, then proceed to connect other joints. Secure the frame using the supplied dowels and bolts.

- 2 Repeat step 1 to assemble the opposing side frame.
- 3 Sand the dowels flush using the supplied wood block and sandpaper.



A DOWEL Ø6x20mm



2 pcs

B DOWEL Ø8x35mm



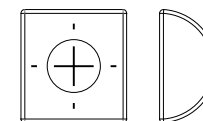
10 pcs

C BOLT M6x50mm



8 pcs

D DOME SPACER



4 pcs