

We recommend two people be on hand for this assembly

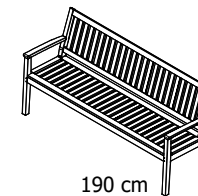
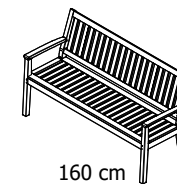
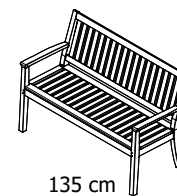
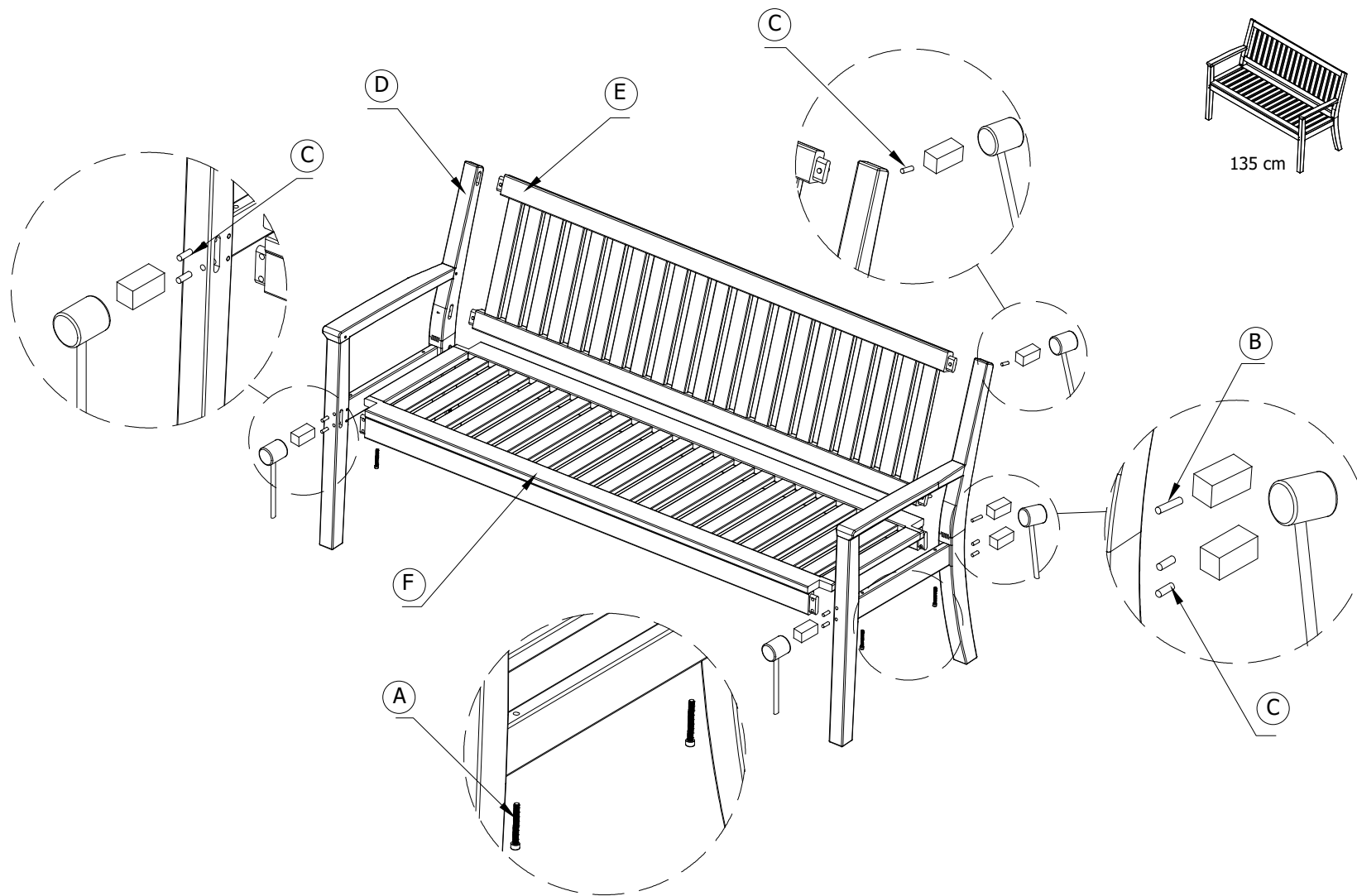
Tools required :

- 5mm hex key (included)
- Sand paper (included)
- Wood block (included)
- Mallet

CALERA BENCH

ASSEMBLY INSTRUCTIONS

!! Important
Do not use power tools on this assembly.
Use the supplied manual hex key.

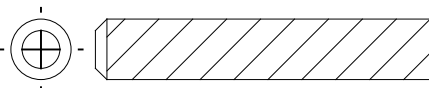


A BOLT M6x70mm



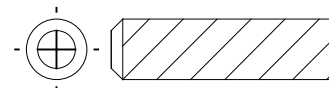
4 pcs

B DOWEL Ø8x45mm



2 pcs

C DOWEL Ø8x30mm



10 pcs

D SIDE FRAME ASSEMBLY

E BACKREST ASSEMBLY

F SEAT ASSEMBLY