

We recommend two people be on hand for this assembly.

Tools required :

- 4mm hex key (included)
- Sandpaper (included)
- Woodblock (included)
- Hammer or Mallet

CALERA 55 in. SQUARE DINING TABLE

ASSEMBLY INSTRUCTIONS



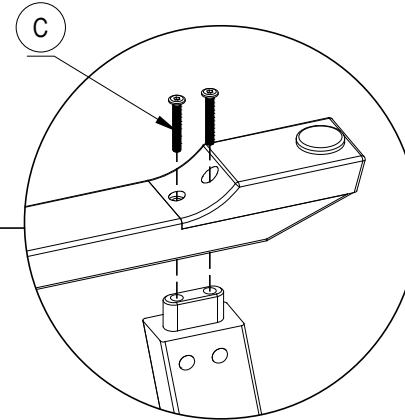
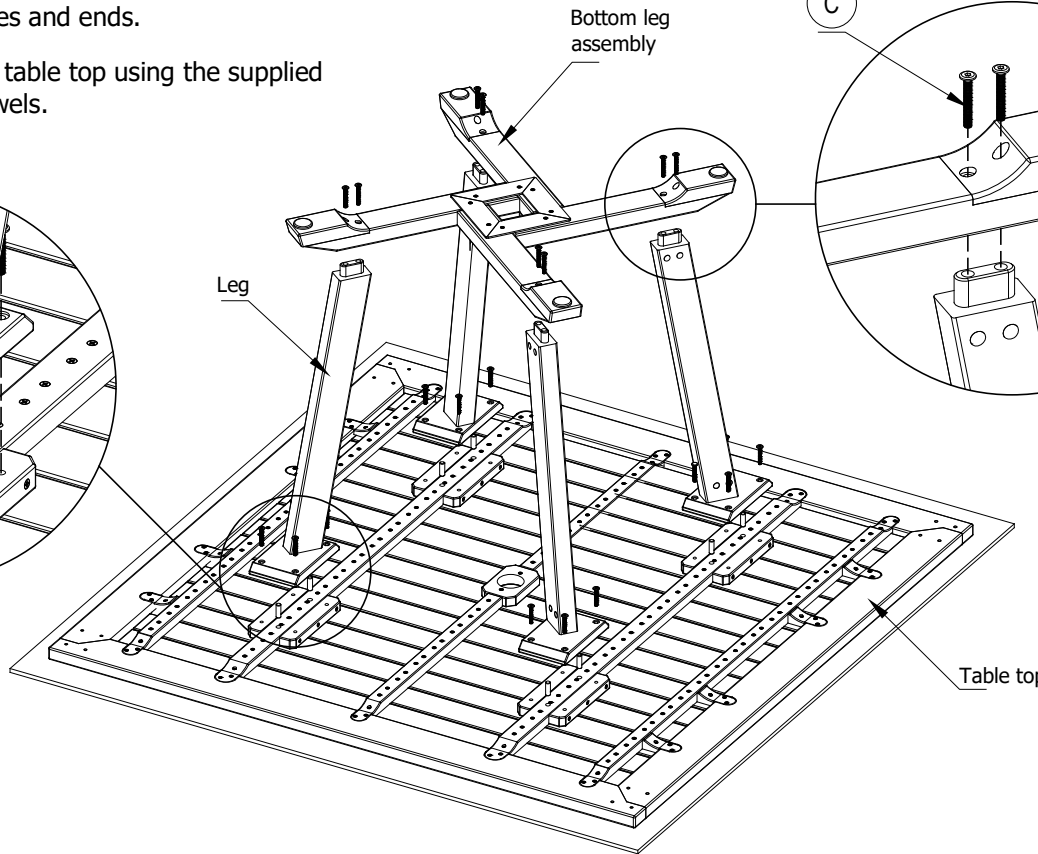
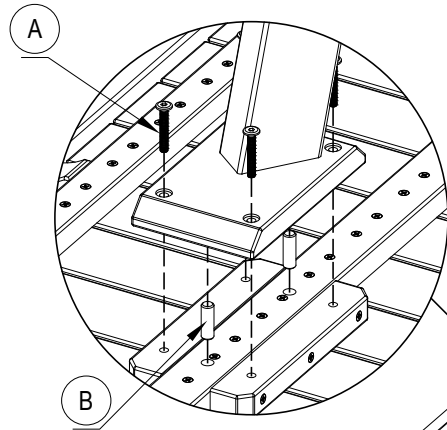
Important !!

**Do not use power tools on this assembly.
Use the supplied manual hex key.**

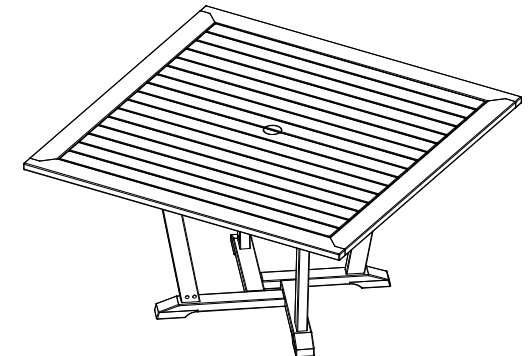
1 Use the carton as a protective work surface by flattening out the sides and ends.

2 Secure the 4 legs to the table top using the supplied M6x40mm bolts and dowels.

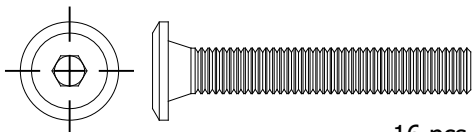
3 Line up the bottom leg assembly to the 4 legs, then secure the two together using the supplied M6x45mm bolts.



4 Turn the table right-side-up.

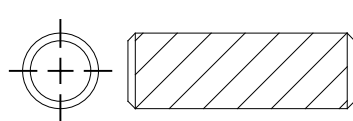


A BOLT M6x40mm



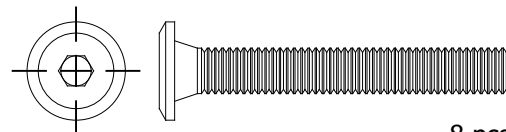
16 pcs

B DOWEL Ø10x30mm



8 pcs

C BOLT M6x45mm



8 pcs