

We recommend two people be on hand for this assembly

Tools required :

- Hex key 4mm (included)
- Hex key 5mm (included)
- Sand paper (included)
- Wood block (included)
- Mallet

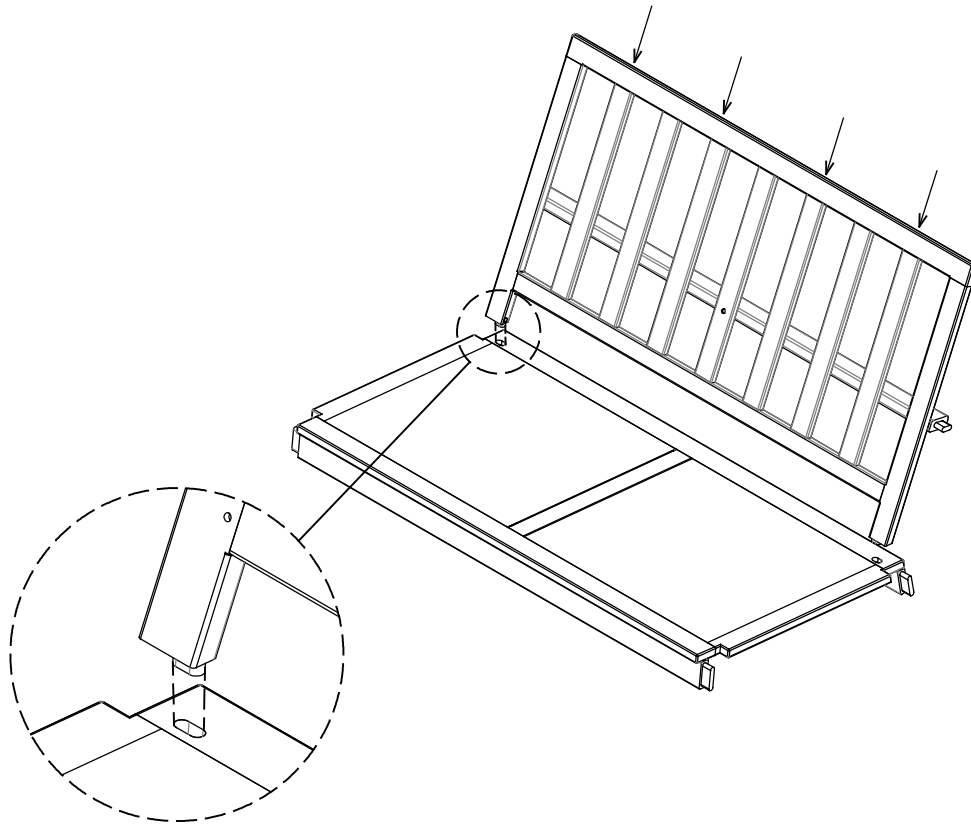
# CALERA LOVE SEAT

## ASSEMBLY INSTRUCTIONS

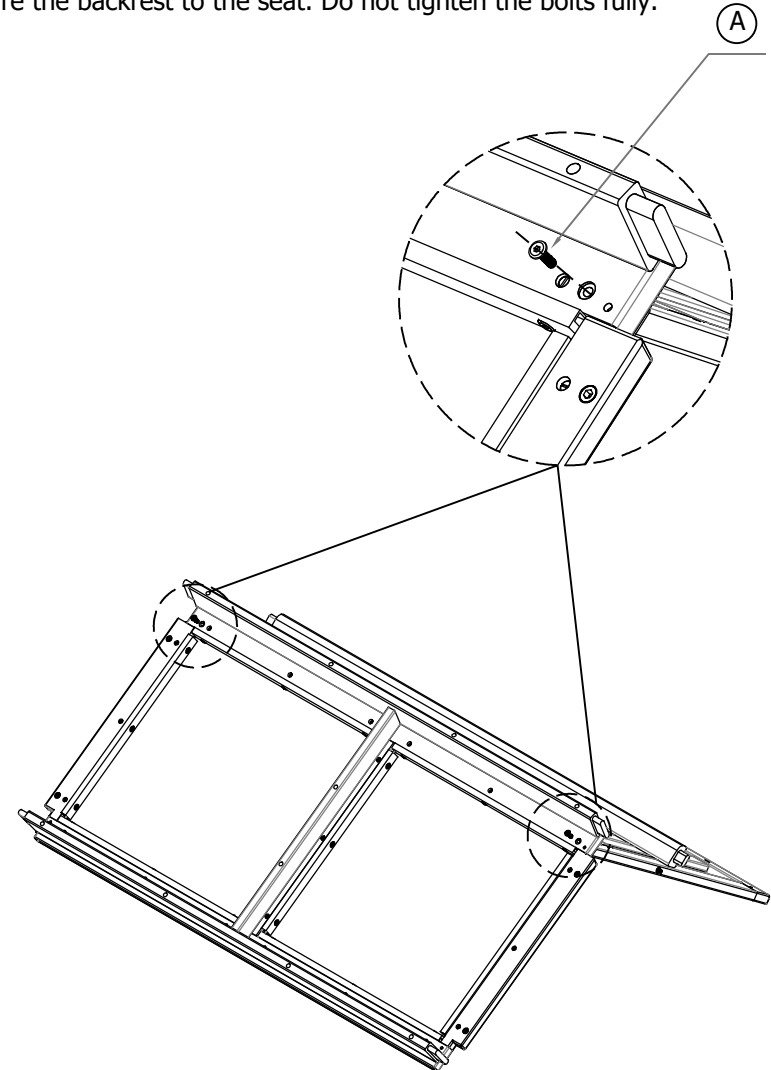
**!! Important**  
Do not use power tools on this assembly.  
Use the supplied manual hex key.



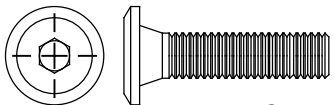
1 Join the backrest and seat



2 Turn the sofa upside down then use the supplied M6x25mm bolts to secure the backrest to the seat. Do not tighten the bolts fully.



(A) BOLT M6x25mm



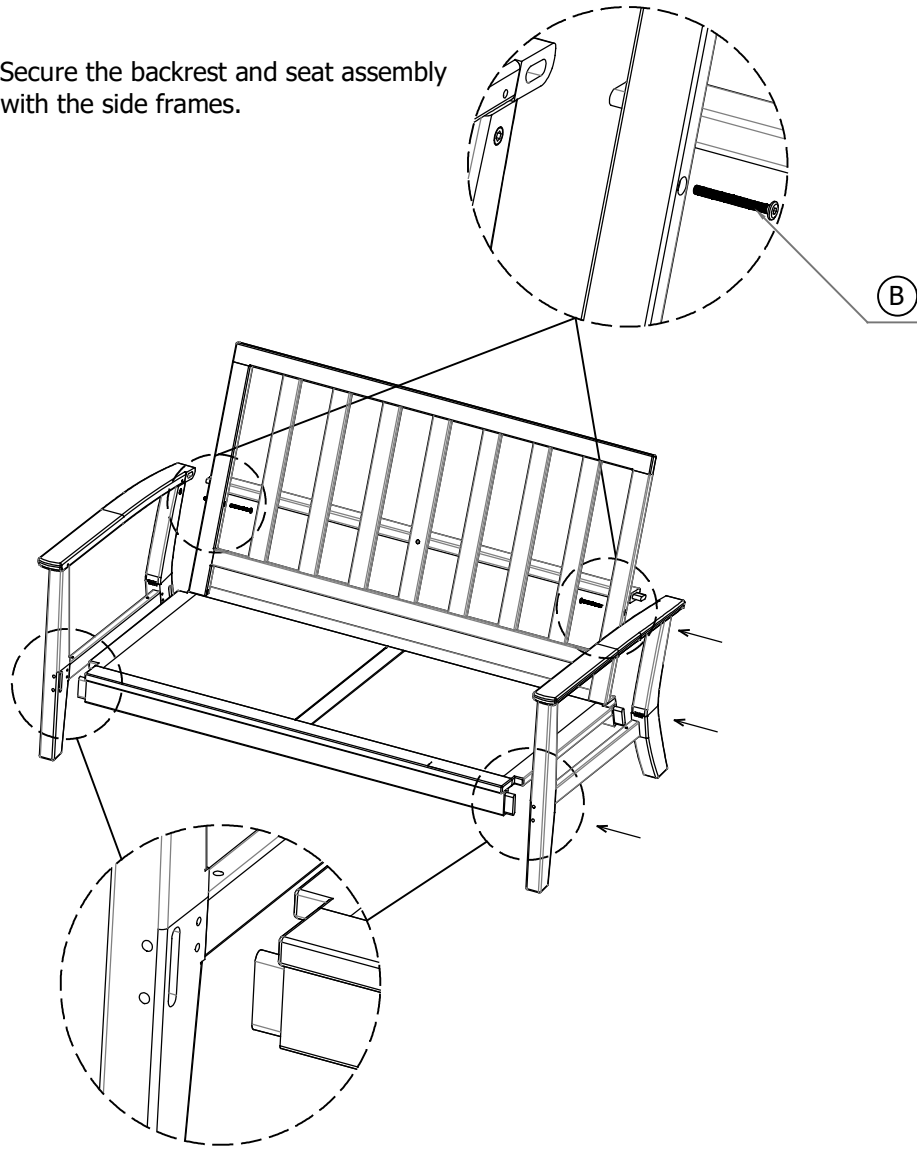
2 pcs

Turn to the next page.

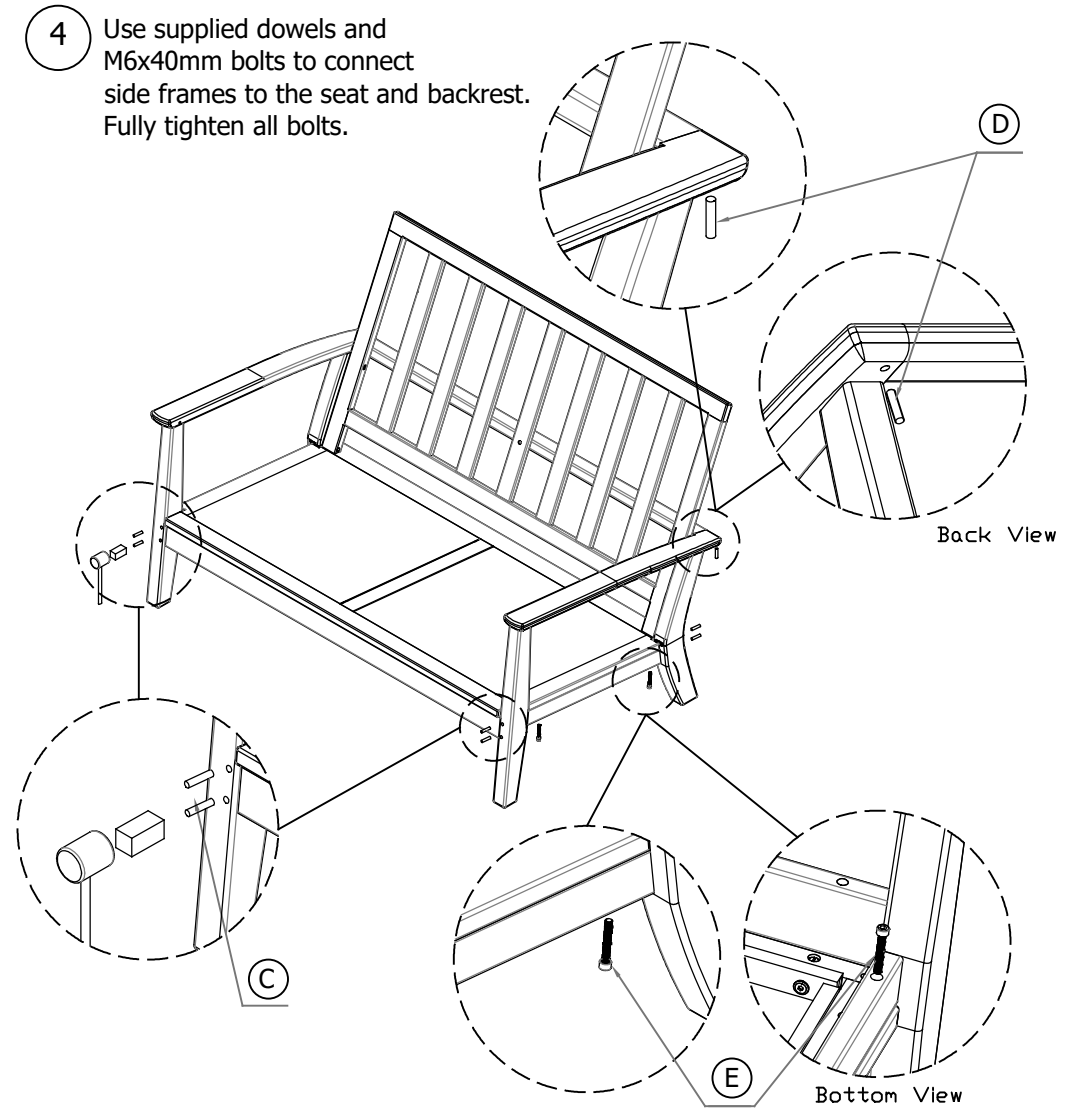
# CAMBRIDGE SEATING 2 SEATER

## ASSEMBLY INSTRUCTIONS

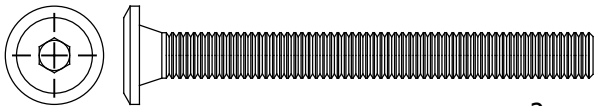
3 Secure the backrest and seat assembly with the side frames.



4 Use supplied dowels and M6x40mm bolts to connect side frames to the seat and backrest. Fully tighten all bolts.

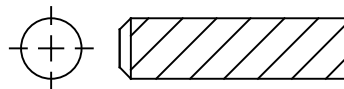


(B) BOLT M6x60mm



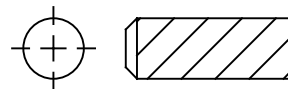
2 pcs

(C) DOWEL Ø8x30mm



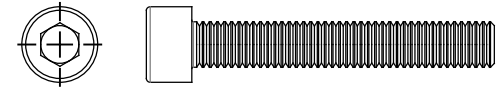
8 pcs

(D) DOWEL Ø8x22mm



2 pcs

(E) BOLT M6x40mm



4 pcs