

- Tools required:
- 4mm hex key (included)
 - 5mm hex key (included)
 - Wood Block (included)
 - Sand Paper (included)
 - Mallet

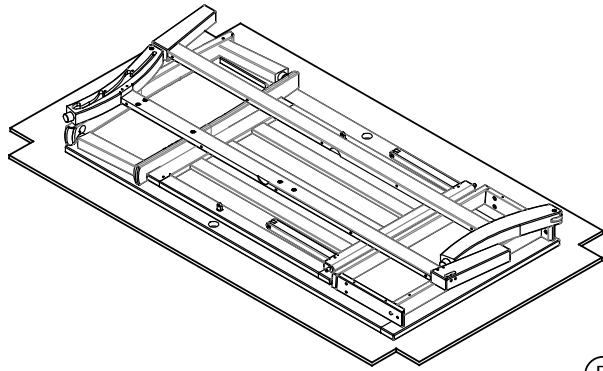
CALERA DEEP SEATING CHAISE

ASSEMBLY INSTRUCTIONS

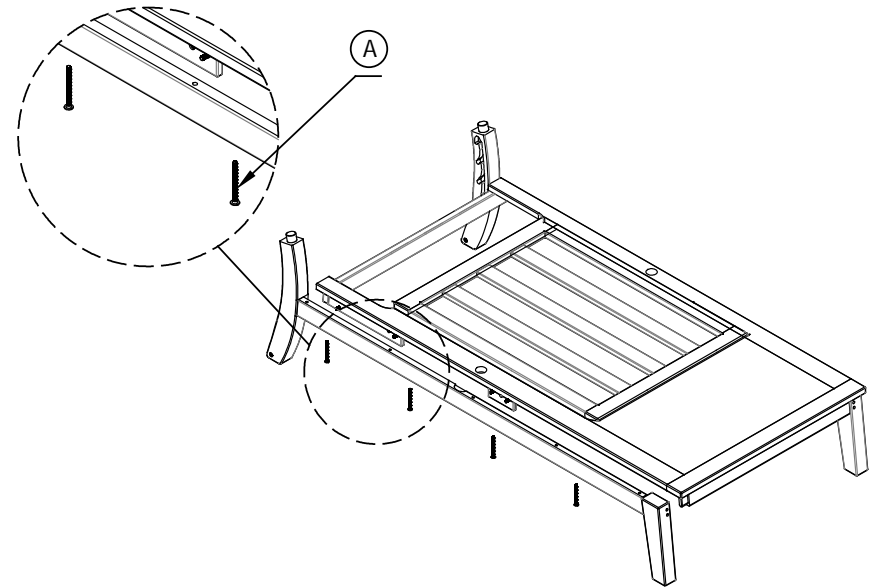
!! Important
Do not use power tools on this assembly.
Use the supplied manual hex key.



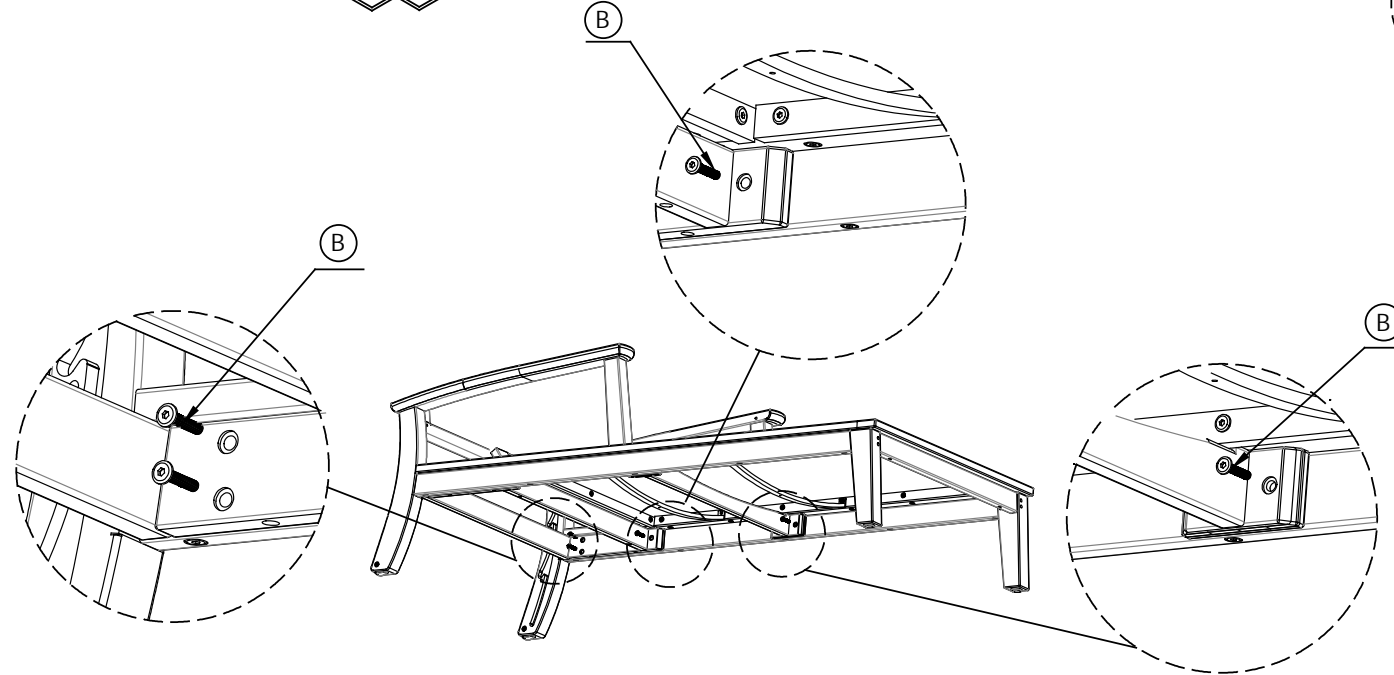
1



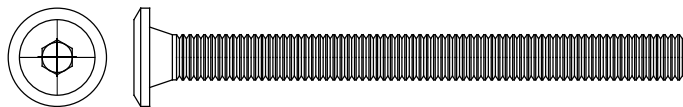
2



3

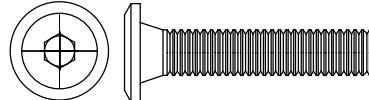


(A) BOLT M6x70mm



10 PCS

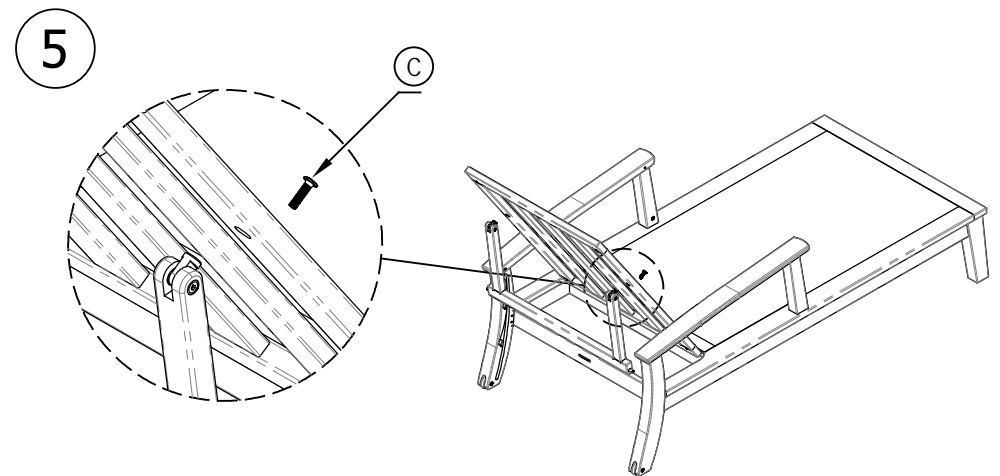
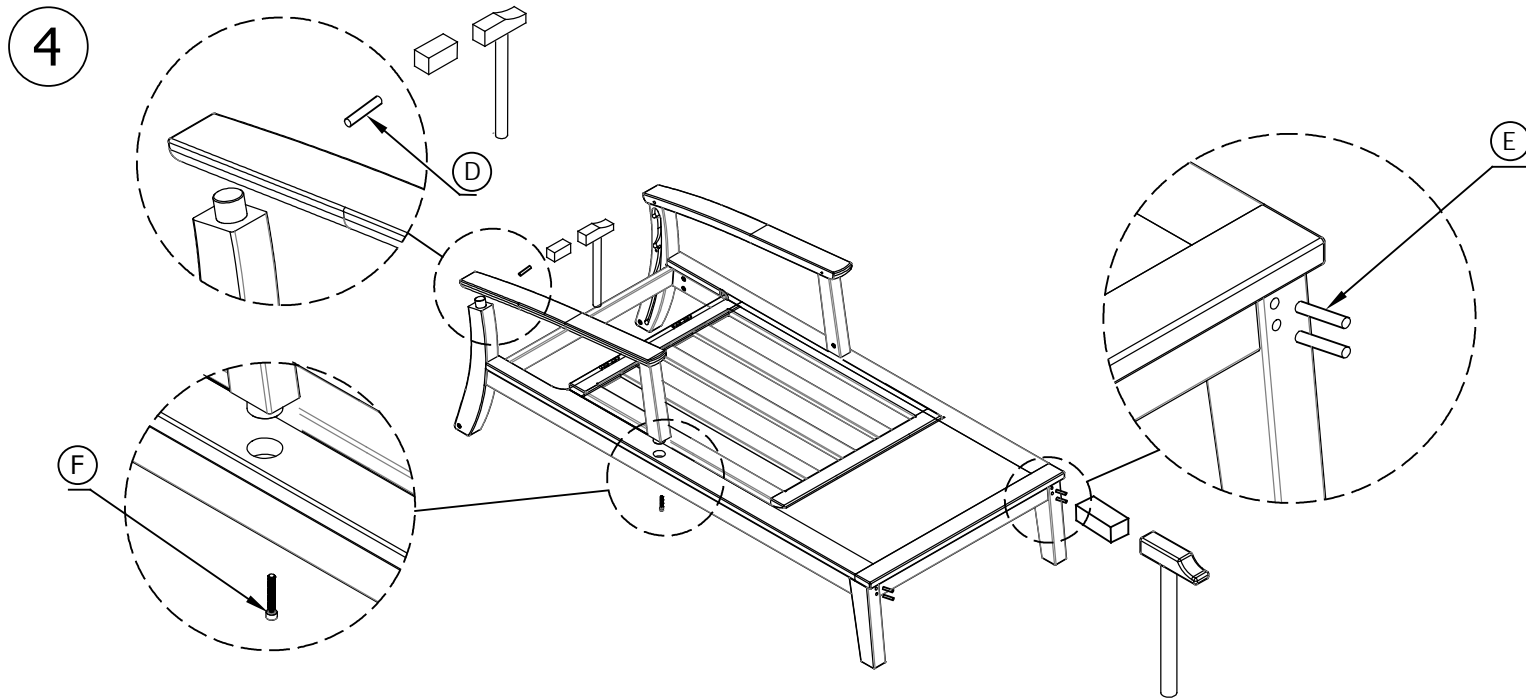
(B) BOLT M6x30mm



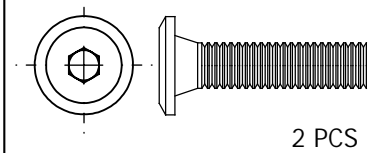
10 PCS

CAMBRIDGE SEATING CHAISE

ASSEMBLY INSTRUCTIONS

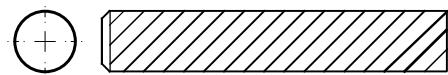


(C) BOLT M6x25mm



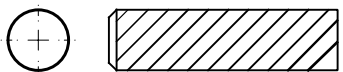
2 PCS

(D) DOWEL Ø8x45mm



2 PCS

(E) DOWEL Ø8x30mm



4 PCS

(F) BOLT M6x40mm



2 PCS