

Tools required :
- 4mm hex key (included)

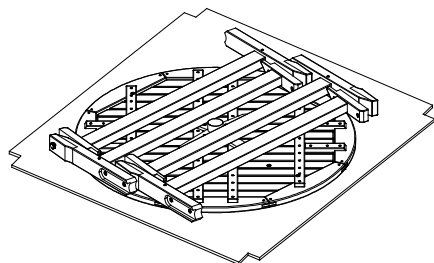
CALERA ROUND BAR HEIGHT TABLE Ø93x90cm

ASSEMBLY INSTRUCTIONS

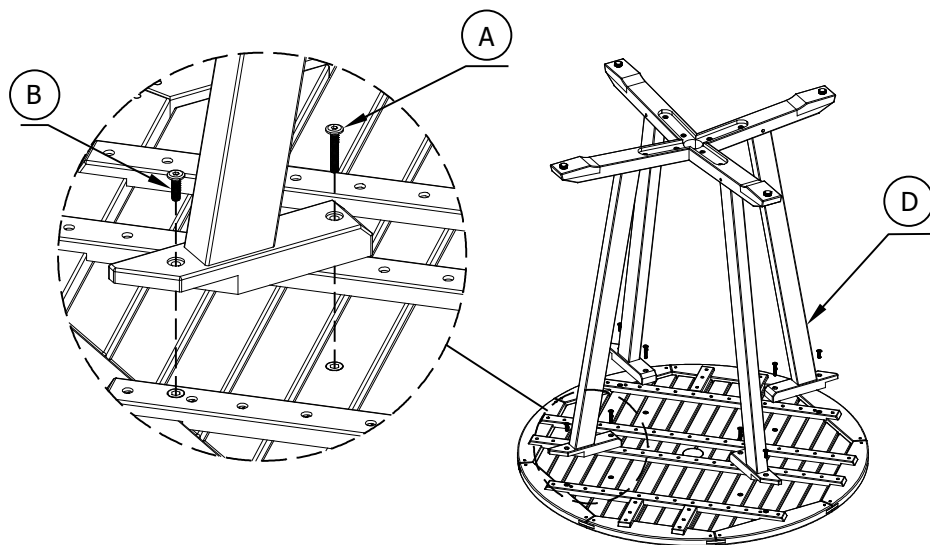
!! Important
Do not use power tools on this assembly.
Use the supplied manual hex key.



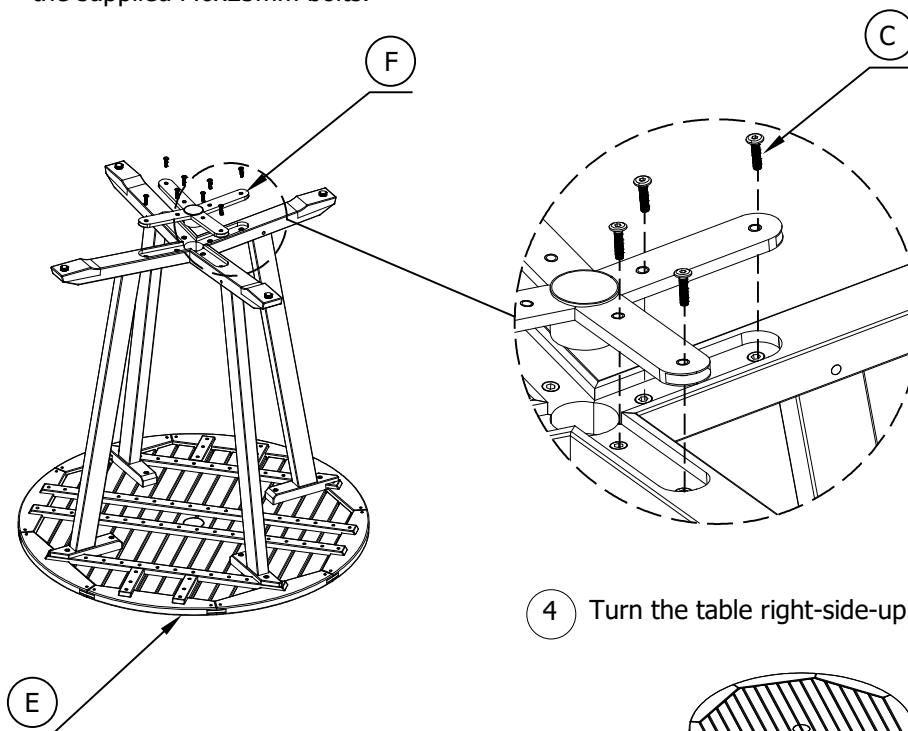
- 1 Use the carton as a protective work surface by flattening out the sides and ends.



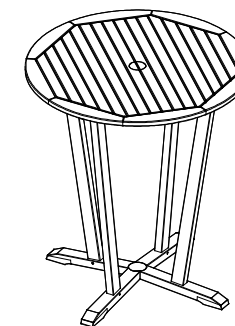
- 2 Secure the 4 legs to the table top using M6x35mm and M6x20mm bolts prior to connecting all legs together.



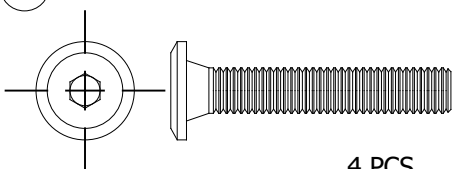
- 3 Connect all legs using supplied tube connector assembly, then secure it with the supplied M6x25mm bolts.



- 4 Turn the table right-side-up.

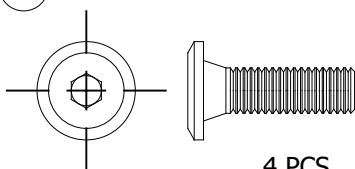


A BOLT M6x35mm



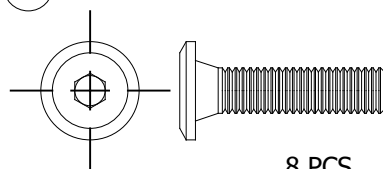
4 PCS

B BOLT M6x20mm



4 PCS

C BOLT M6x25mm



8 PCS

D LEGS ASSEMBLY

E TABLE TOP ASSEMBLY

F TUBE CONNECTOR ASSEMBLY