

Tools required :
- Spanner 13mm (included)

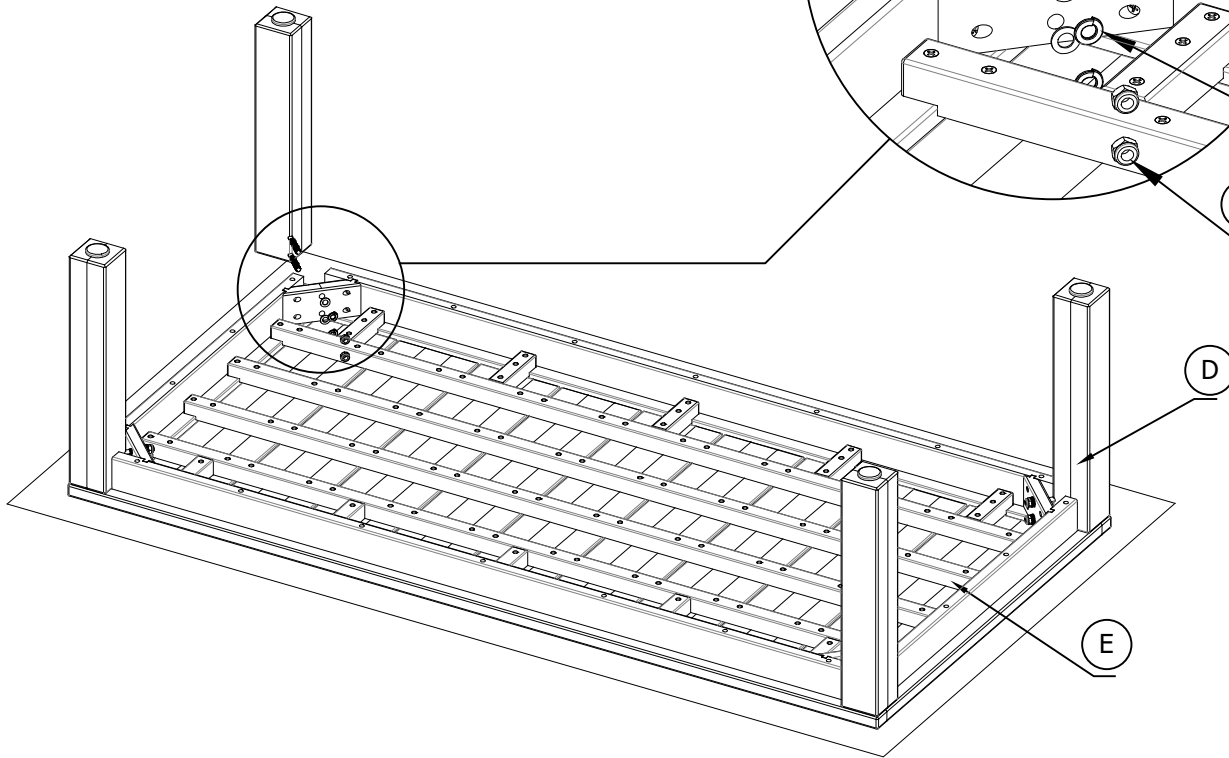
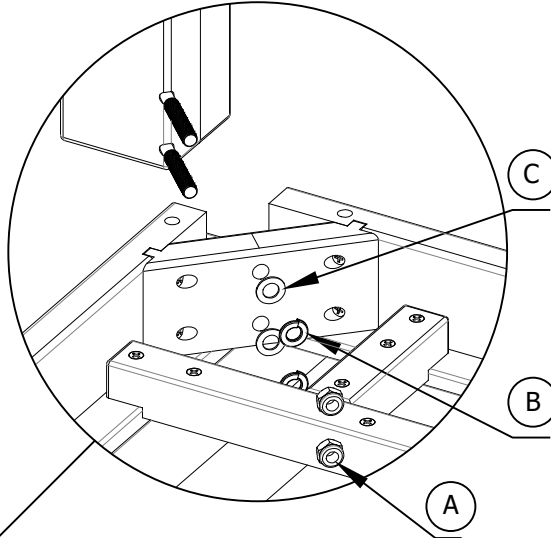
FOUNDATION TEAK COFFEE TABLE

ASSEMBLY INSTRUCTIONS

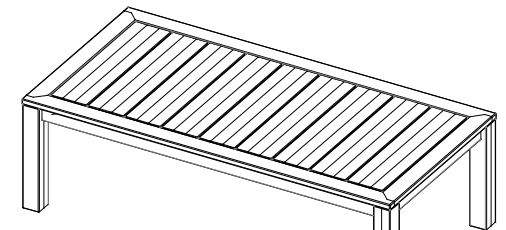
!! Important
Do not use power tools on this assembly.
Use the supplied manual spanner.



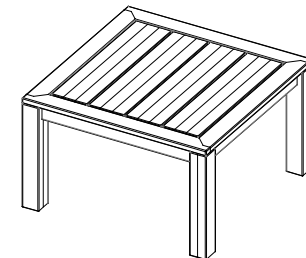
- 1 Use the carton as a protective work surface by flattening out the sides and ends.
- 2 Using the supplied spanner, secure each of the 4 legs to the frame. Ensure the flat and spring washers are in the correct position. Flat washer should be nearest to the frame, while spring washer should be nearest to the nut.



- 3 Turn the table right-side-up.

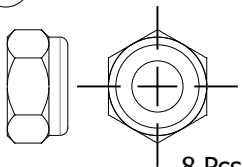


Rectangular 150 cm x 75 cm



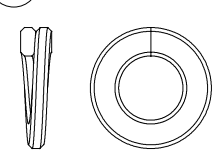
Square 75 cm x 75 cm

A NYLON NUT M8



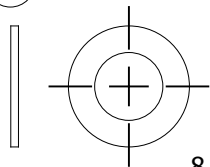
8 Pcs

B SPRING WASHER M8



8 Pcs

C FLAT WASHER M8



8 Pcs

D LEG

E TABLE TOP ASSEMBLY