

Tools required :
- Spanner 13mm (included)

FOUNDATION RECTANGULAR TEAK DINING TABLE

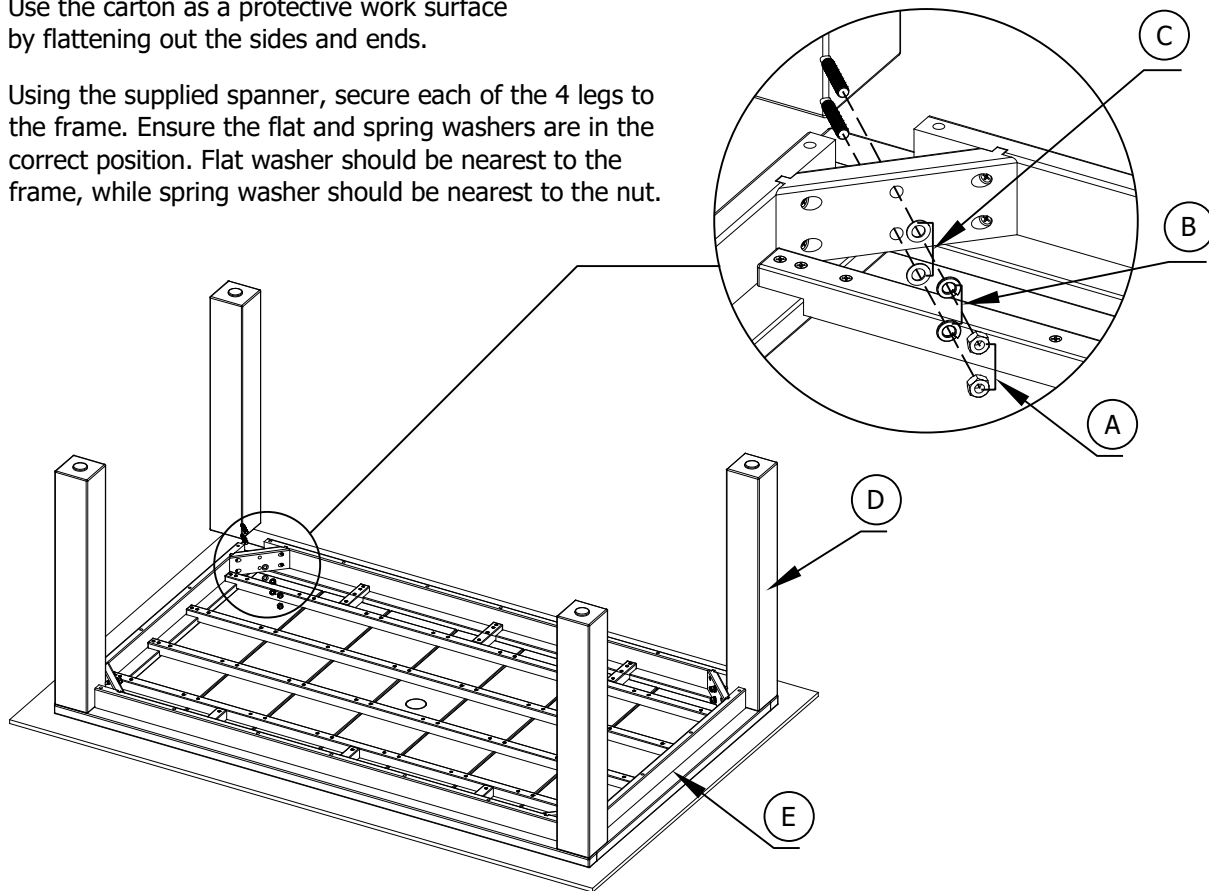
ASSEMBLY INSTRUCTIONS



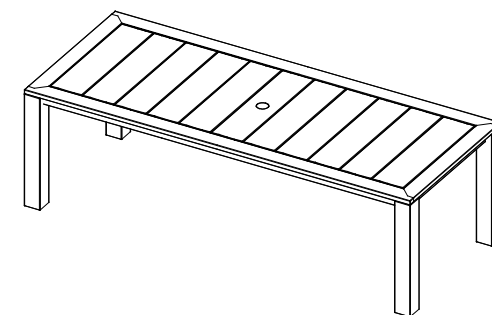
Important !!

Do not use power tools on this assembly.
Use the supplied manual spanner.

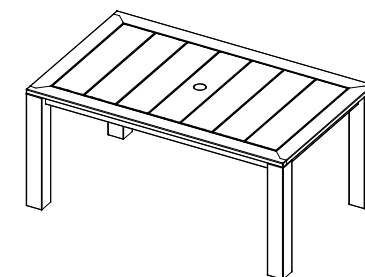
- 1 Use the carton as a protective work surface by flattening out the sides and ends.
- 2 Using the supplied spanner, secure each of the 4 legs to the frame. Ensure the flat and spring washers are in the correct position. Flat washer should be nearest to the frame, while spring washer should be nearest to the nut.



- 3 Turn the table right-side-up.

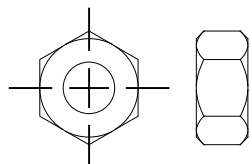


240x100cm



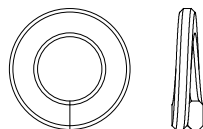
160x100cm

A NUT M8



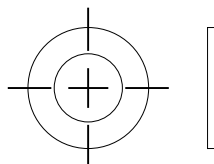
8 Pcs

B SPRING WASHER M8



8 Pcs

C FLAT WASHER M8



8 Pcs

D LEG

E TABLE TOP