

We recommend two people be on hand for this assembly

Tools required :  
- 4mm hex key (included)  
- 6mm hex key (included)

# JOHNY DINING TABLE 87X39.5 in.

## ASSEMBLY INSTRUCTIONS

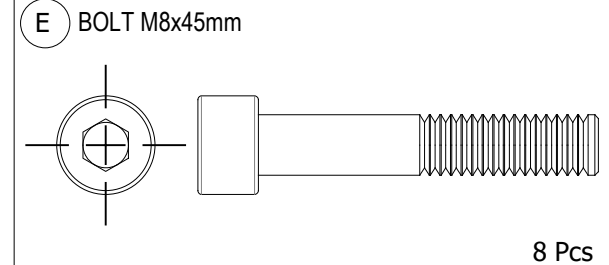
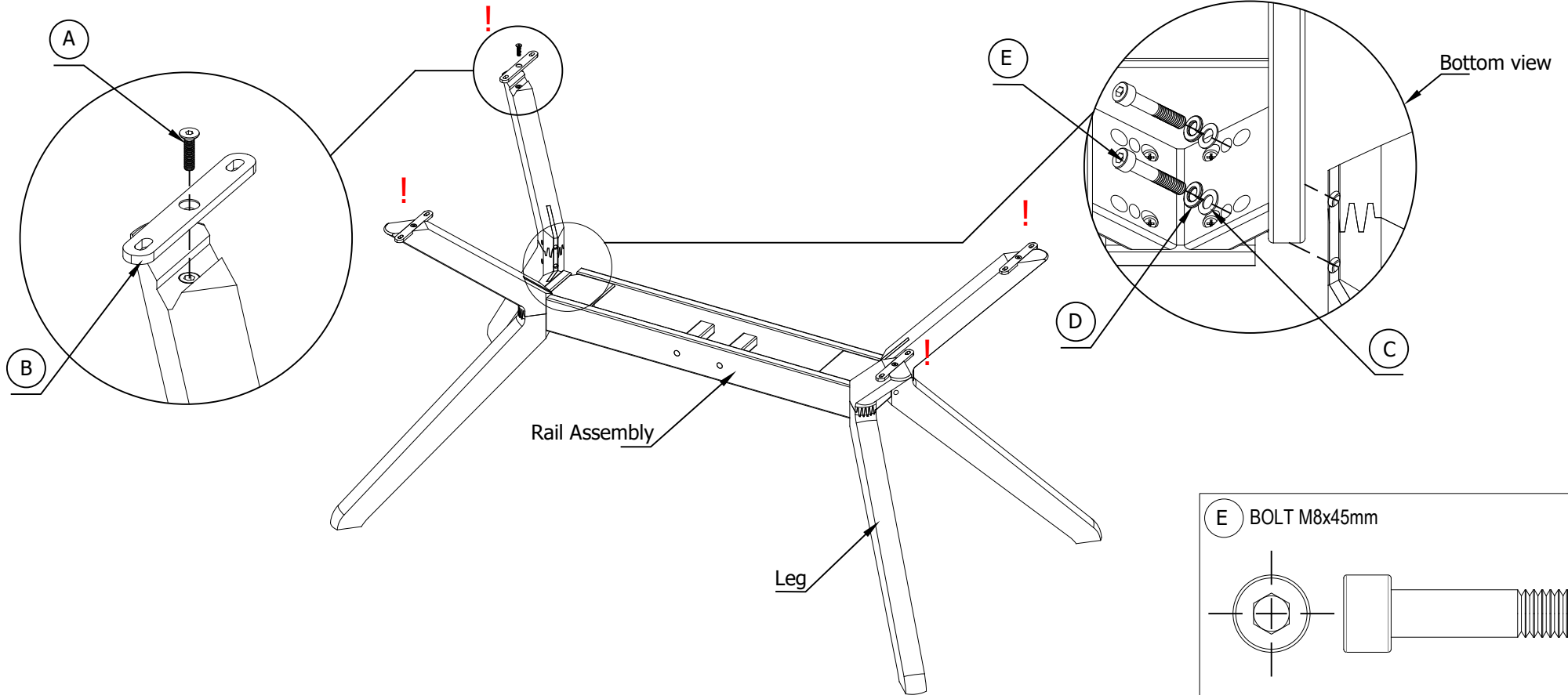
**!! Important**  
Do not use power tools on this assembly.  
Use the supplied manual hex key.



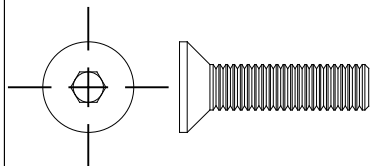
- 1 Secure a plate connector to each leg using the supplied M6x25mm bolts.

!! Carefully check the orientation of the plate connectors to ensure they match the drawing below.

- 2 Loosely secure the legs to the rail assembly using the supplied M8x45mm bolts, flat washer and spring washer. Ensure the flat and spring washer are in the correct position. Flat washer should be nearest to the rail assembly, while spring washer should be nearest to the bolt.

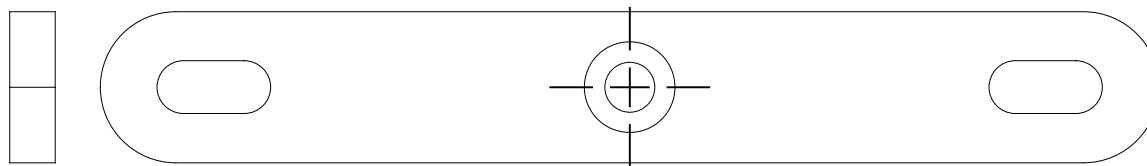


A BOLT M6x25mm



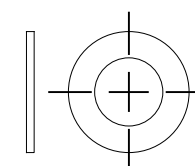
4 Pcs

B PLATE CONNECTOR



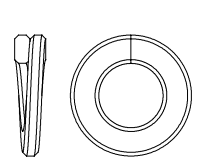
4 Pcs

C FLAT WASHER



8 Pcs

D SPRING WASHER

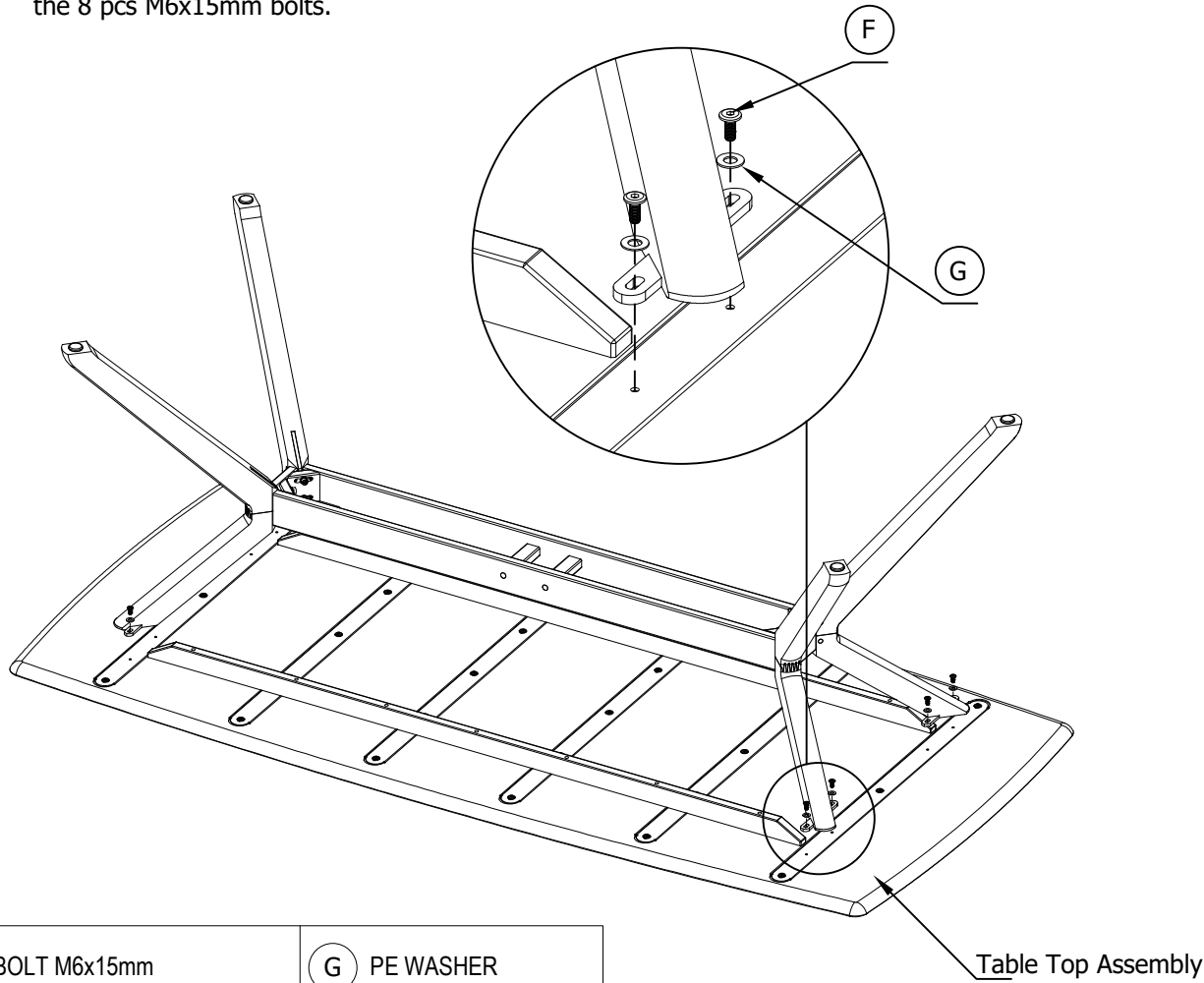


8 Pcs

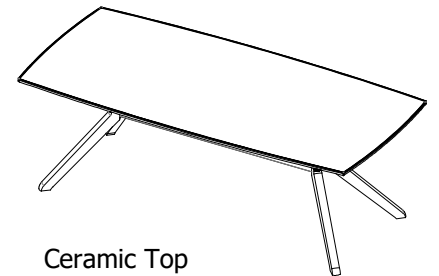
# JOHNY DINING TABLE 87 x 39.5 in.

## ASSEMBLY INSTRUCTIONS

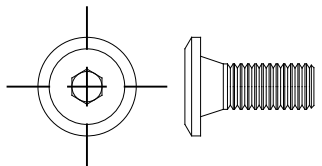
- 3 a. Loosely secure the frame assembly to the table top using the supplied M6x20mm bolts and PE washers.  
b. Tighten the 8 pcs M8x45mm bolts fully, followed by tightening the 8 pcs M6x15mm bolts.



- 4 Turn the table right-side-up.



F BOLT M6x15mm



G PE WASHER

