

- We recommended two people be on hand for this assembly-

Tool Required:

-Spanner 13mm (included)

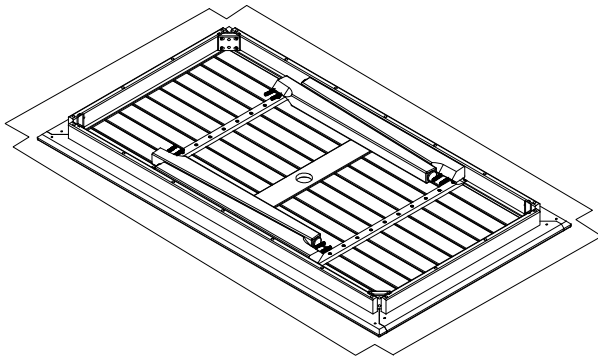
MENLO DINING TABLE

ASSEMBLY INSTRUCTIONS

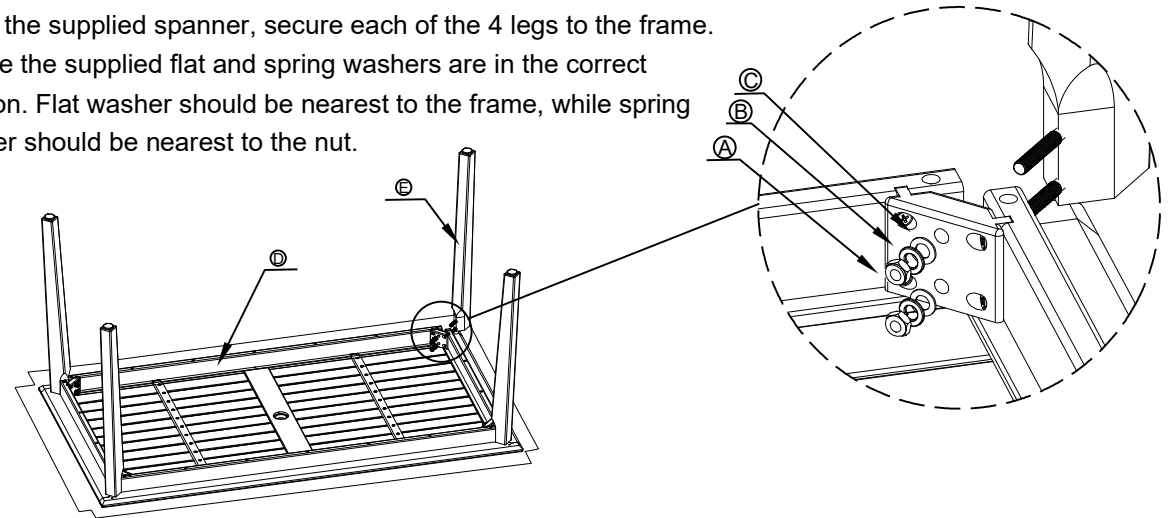
!! Important
Do not use power tools on this assembly.
Use the supplied manual spanner.



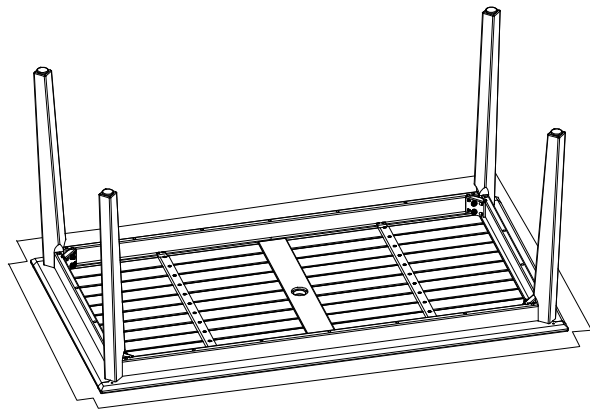
- ① Use the carton as protective work surface by flattening out the sides and ends.



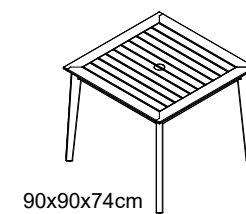
- ② Using the supplied spanner, secure each of the 4 legs to the frame. Ensure the supplied flat and spring washers are in the correct position. Flat washer should be nearest to the frame, while spring washer should be nearest to the nut.



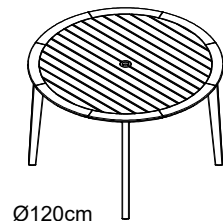
- ③ Turn the table right-side-up



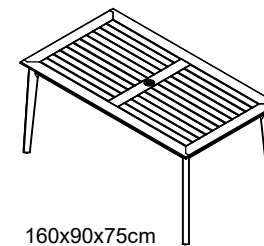
- ④ Turn the table right-side-up



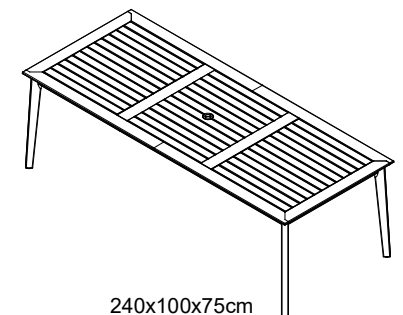
90x90x74cm



Ø120cm

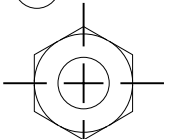


160x90x75cm



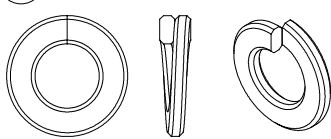
240x100x75cm

A. NUT M8



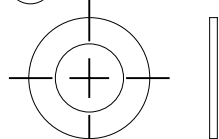
8 pcs

B. SPRING WASHER M8



8 pcs

C. FLAT WASHER M8



8 pcs

D. Top Assembly
1 pcs

E. Legs
4 pcs